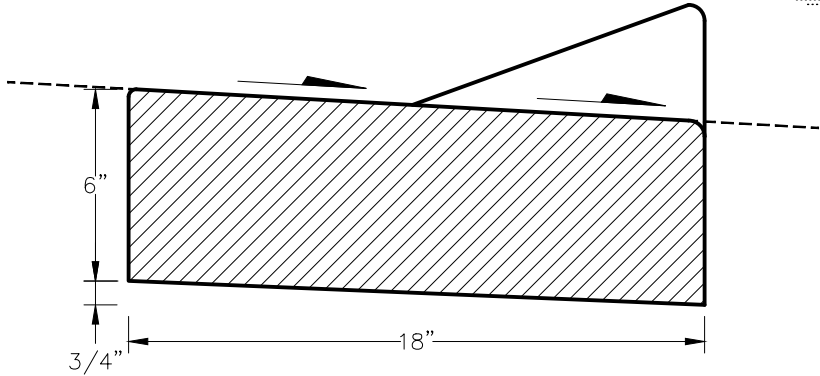
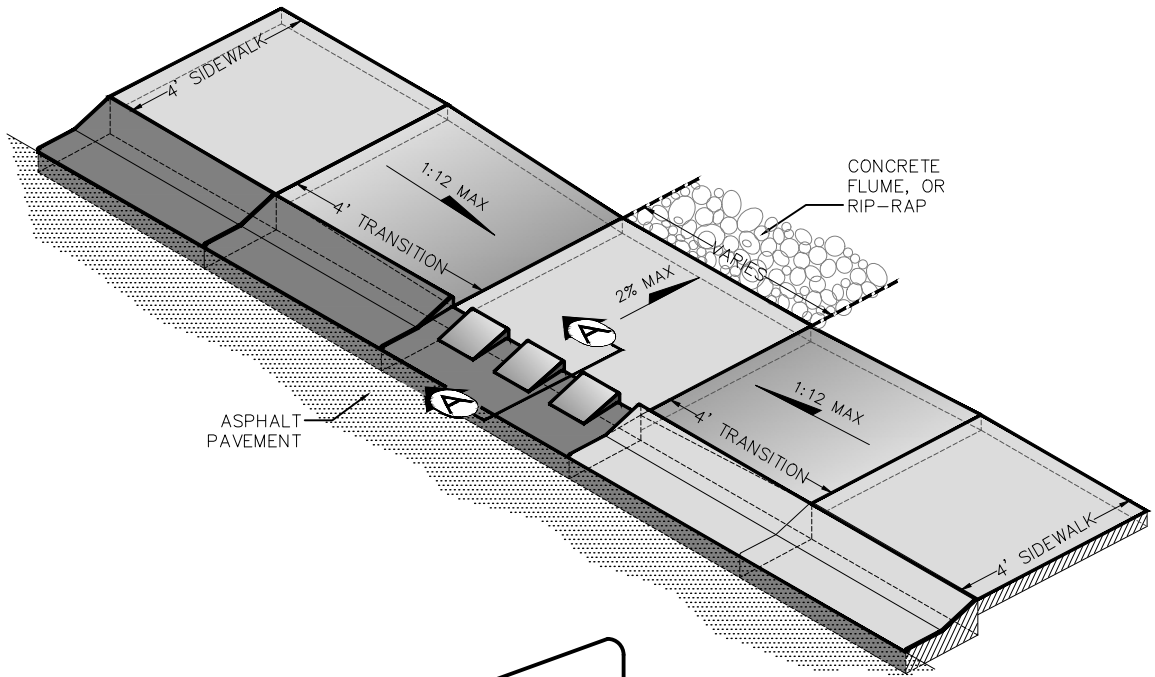
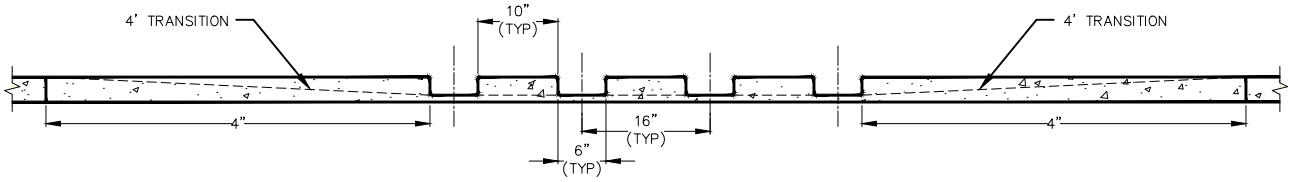


# MODIFIED 6" LAYDOWN SAWTOOTH CURB

SCALE; N.T.S.



SECTION "A-A"

DRAWN BY: S Odom  
 DATE: June, 2015  
 SCALE: NTS