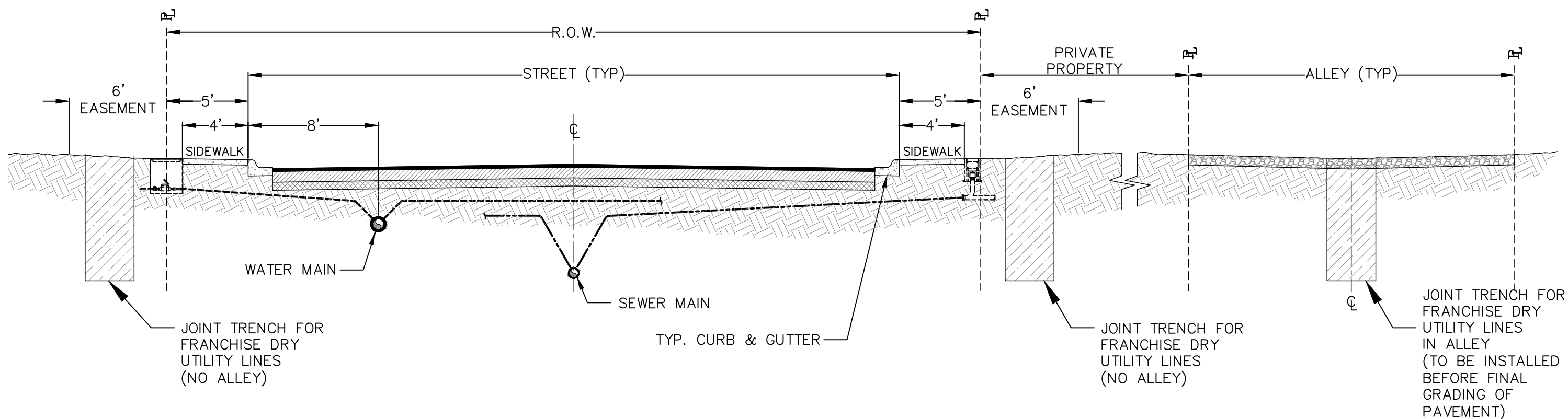


WATER, SEWER, AND FRANCHISE DRY UTILITY LINES INSTALLATION LOCATIONS



NOTE: ALL CROSSINGS (UTILITY AND DRY UTILITY)
 IN PAVED AREA TO BE DONE BEFORE
 FINAL STREET AND ALLEY PAVING.