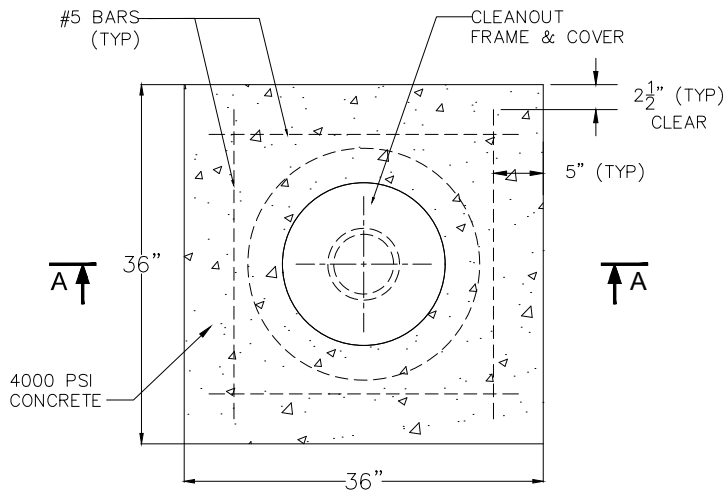
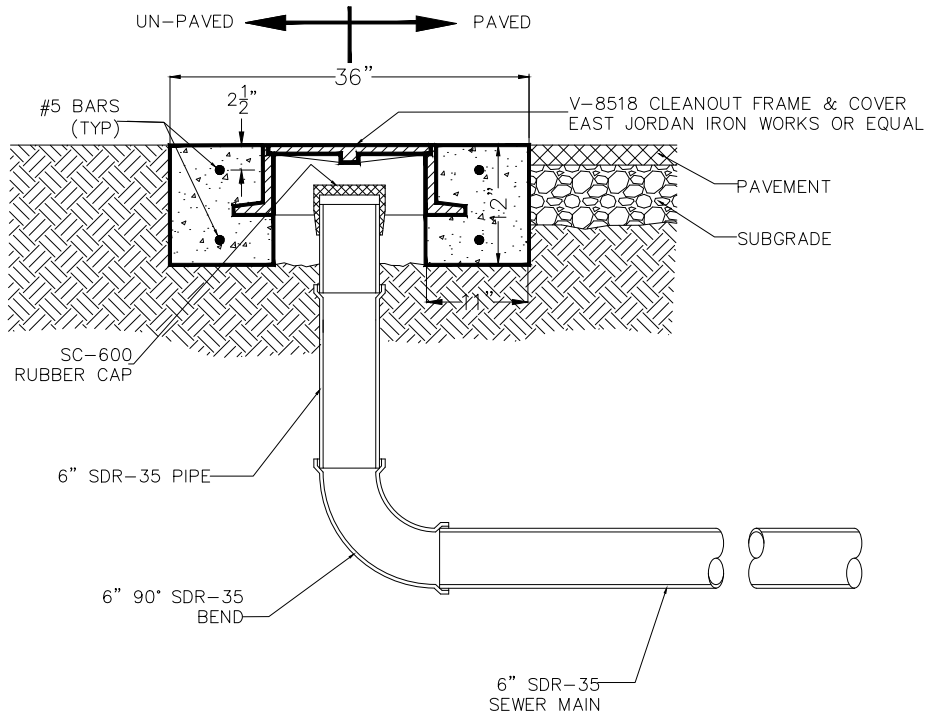


CLEANOUT DETAIL
 FOR PAVED & UNPAVED AREA



PLAN VIEW
 SCALE: N T S



SECTION A-A
 SCALE: N T S

DRAWN BY: sOdom/LA
 DATE: Aug. 30, 2011
 REV. DATE: 8/22/2019
 SCALE: NTS.